



## Vandal Resistant Dome

### Mercury SX 2<sup>nd</sup> Generation

- New 1/3" Progressive Scan CMOS
- Motorised 3-9mm P-Iris Lens
- Wide Dynamic Range
- Vandal Resistant
- 35M IR Range
- Auto Focus
- Quad Stream
- OnVif
- POE (IEEE 802.3af)
- 4 year Warranty
- IP66 & IK10

### New 1/3" Progressive CMOS

The second generation of Mercury SX Series dome cameras incorporates a brand new 4 megapixel CMOS image sensor can run in 16:9 format and includes state-of-the-art image enhancement technologies offering excellent colour reproduction.

### WDR

The 2<sup>nd</sup> generation Mercury SX range also offers the latest Wide Dynamic Range feature making this range ideal for surveillance in areas with strong variations in light, for instance close to large windows and entrances or where the sunlight creates both very bright zones and dark shadows.

### Motorised P-Iris Lens

Remote zoom and focus feature enables convenient focusing over the network together with the special P-Iris lens, eliminating the need for hands-on fine tuning. This remote adjustment functionality greatly speeds up installation time and ensures that the camera's angle of view is optimized for the area to be monitored giving contrast and clarity in the depth of field and optimising image resolution.

### Improved IR Technology

The 2<sup>nd</sup> generation Mercury SX range, incorporates the latest improvements in IR technology offering up to 35 meters distance.

### POE

The 2<sup>nd</sup> generation Mercury SX range comes with Power over Ethernet (PoE) meaning the heater in the camera no longer needs to be powered locally, this feature once again simplifies installation since only one cable is needed to carry power for the camera, heater as well as video signal.

### Protection

The 2<sup>nd</sup> generation Mercury SX range offers IP66 protection against dust, rain and snow and can operate in extreme cold temperatures. The cameras' extreme cold control function ensures safe start-up from -40 °C with an operational temperature range of -40°C ~ +50°C (POE, IEEE 802.3af)

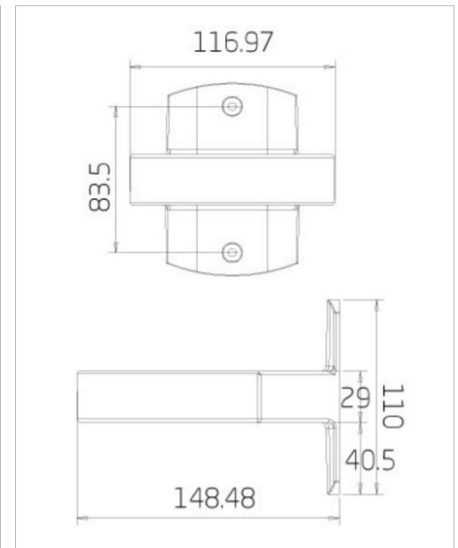
## Optional Mounting Accessories

### Mercury SX2 Wall Bracket

Dimensions: 148×117×110mm

Weight: 0.6 kg

Part number 0070-10016

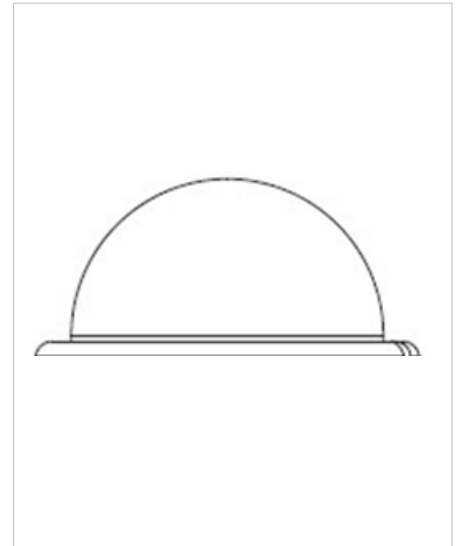


### Mercury SX2 Dome Cover

Replacement dome Cover

Weight: 0.5 kg

Part number 0070-10018



### In-Ceiling (T-Bar) Mount

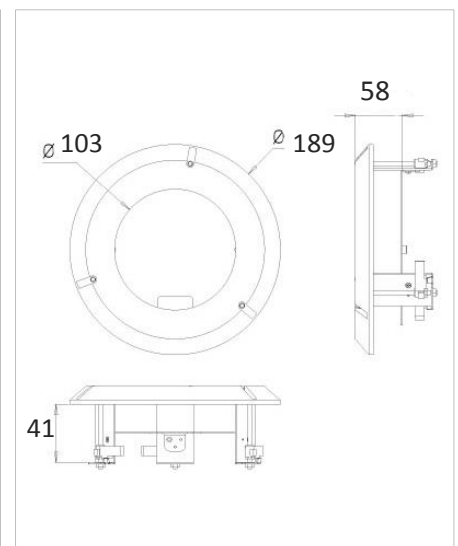
For In-Ceiling Installation.

Height: 58 mm

Diameter:  $\varnothing 103$  /  $\varnothing 189$  mm

Weight: 0.8 kg

Part number 0070-10017



Follow us on



ONVIF

© 2015 Ernitec. All rights reserved  
www.ernitec.com

Ernitec  
Tempovej 41  
2750 Ballerup  
Denmark

R04EN0615

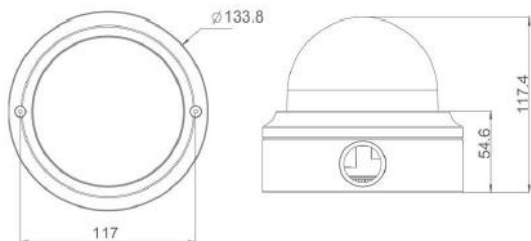
# Technical Specification Mercury SX-321IR

| Camera                   |   |
|--------------------------|---|
| Camera type              | Dome day / night (ICR Type)                                     |
| Effective Pixels         | (1280H) x 1024(V)   |
| Image Sensor             | 1/3" Progressive CMOS   |
| Electronic Shutter Speed | 1~1/10.000 sec.   |
| Min. Illumination        | 0.2 lux (Colour)/ 0.02 lux (B/W) F1.2, 30IRE                    |
| Day/night switching      | Mechanical IR-cut   |
| Lens                     |   |
| Lens type                | Motorized Autofocus   |
| Focal Length             | 3 ~ 9 mm  |
| F. number                | F1.4 (wide), F2.1(tele)   |
| Iris                     | P- iris   |
| FOV                      | 90.5° (Wide); 30.7° (Tele)                                      |
| Video                    |   |
| Video compression        | H.264/MJPEG   |
| Resolution               | SXGA / HD 720P / XGA / SVGA / D1 / VGA / CIF / QCIF@30fps (WDR) |
| Single stream NTSC       | H.264 720P @ 30 fps   |
| Single stream PAL        | H.264 720P @ 25 fps   |
| Multiple streams         | Quad Stream   |
| Brightness               | Manual  |
| Exposure                 | Auto / Manual   |
| Sharpness                | Manual  |
| Contrast                 | Manual  |
| White Balance            | Manual / AWB/ ATW   |
| Saturation               | Manual  |
| Hue                      | Manual  |
| Digital Zoom             | Yes   |
| WDR                      | upto 75 dB  |
| 3D Noise                 | On/Off  |
| Privacy Zone             | On/Off  |
| Motion detection         | On/Off  |
| Tampering Alarm          | On/Off  |

| Network            |   |
|--------------------|---|
| Network Interface  | Ethernet (RJ45) 10/100Mbps  |
| Supported protocol | IPv4/v6, TCP/IP, UDP, RTP, STPS, HTTP, HTTPS, ICMP, FTP, SMTP, DHCP, PPPoE, Upnp, IGMP, SNMP, QoS |
| Internet Browser   | Internet Explorer (6.0+), Chrome, Firefox, Safari   |
| Password Levels    | User / Administrator  |
| User Account       | 20  |
| Event Notification | HTTP, FTP, SMTP   |

| General                        |   |
|--------------------------------|---|
| OnVif                          | Profile S, see more information on <a href="http://www.onvif.org">www.onvif.org</a> |
| SD Card Slot                   | SD card slot<br>Micro SDXC 64GB supported (card is not included)                    |
| Audio                          | Two-way /G.711 /G.726   |
| Audio input / output           | 5 of 9pin terminal block  |
| Digital In/out                 | 1/1 (4 of 9 pin terminal block)   |
| Analog Video Output            | 2 pin connector 75Ω, PAL class 2  |
| Power Voltage                  | 12VDC / 24VAC/ POE (IEEE802.3af)  |
| Power Consumption              | Max. 12,9W  |
| Power Connector                | 2 pin terminal block / RJ45   |
| Built-in IR illuminator        | Up to 35 meters<br>6 x 850nm high power LEDs  |
| Environmental Casing           | IP66 & IK10   |
| Languages                      | English / French / German / Italian / Portuguese / Russian / Spanish                |
| Operating Temperature/Humidity | -40°C ~ +50°C (POE)<br>10% ~ 90% RH   |
| Dimensions                     | Ø133,8 x 117,4 mm   |
| Weight (Net)                   | Approx. 745g  |
| Warranty                       | 4 years   |
| Included accessories           | Installation and Management software DVD  |
| Part number                    | 0070-04321IR  |

| Optional accessories                |               |
|-------------------------------------|---------------|
| 1ch video management software       | 0063-99999    |
| Wall bracket                        | 0070-10016    |
| Ceiling Mount                       | 0070-10017    |
| Replacement Dome Cover              | 0070-10018    |
| AppView for smart phones and tablet | free download |



DISTRIBUTED BY



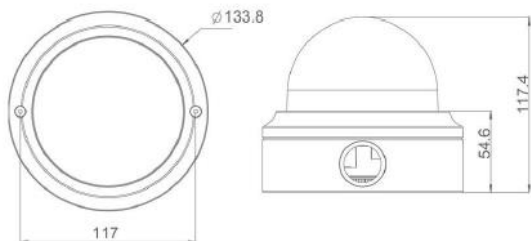
We reserve the right to introduce product modifications without notice

# Technical Specification Mercury SX-322IR

| Camera                   |   |
|--------------------------|---|
| Camera type              | Dome day / night (ICR Type)   |
| Effective Pixels         | 1920 (H) x 1080(V)  |
| Image Sensor             | 1/3" Progressive CMOS   |
| Electronic Shutter Speed | 1~1/10.000 sec.   |
| Min. Illumination        | 0.2 lux (Colour)/ 0.02 lux (B/W) F1.2, 30IRE                                    |
| Day/night switching      | Mechanical IR-cut   |
| Lens                     |   |
| Lens type                | Motorized Autofocus   |
| Focal Length             | 3 ~ 9 mm  |
| F. number                | F1.4 (wide), F2.1(tele)   |
| Iris                     | P- iris   |
| FOV                      | 91.4° (Wide); 33.1° (Tele)  |
| Video                    |   |
| Video compression        | H.264/MJPEG   |
| Resolution               | Full HD 1080P / SXGA / HD 720P / XGA / SVGA / D1 / VGA / CIF / QCIF@30fps (WDR) |
| Single stream NTSC       | H.264 1080P @ 30 fps  |
| Single stream PAL        | H.264 1080P @ 25 fps  |
| Single stream NTSC       | H.264 720P @ 30 fps   |
| Single stream PAL        | H.264 720P @ 25 fps   |
| Multiple streams         | Quad Stream   |
| Brightness               | Manual  |
| Exposure                 | Auto / Manual   |
| Sharpness                | Manual  |
| Contrast                 | Manual  |
| White Balance            | Manual / AWB/ ATW   |
| Saturation               | Manual  |
| Hue                      | Manual  |
| Digital Zoom             | Yes   |
| WDR                      | upto 75 dB  |
| 3D Noise                 | On/Off  |
| Privacy Zone             | On/Off  |
| Motion detection         | On/Off  |
| Tampering Alarm          | On/Off  |

| Network                        |   |
|--------------------------------|---|
| Network Interface              | Ethernet (RJ45) 10/100Mbps  |
| Supported protocol             | IPv4/v6, TCP/IP, UDP, RTP, STPS, HTTP, HTTPS, ICMP, FTP, SMTP, DHCP, PPPoE, Upnp, IGMP, SNMP, QoS |
| Internet Browser               | Internet Explorer (6.0+), Chrome, Firefox, Safari   |
| Password Levels                | User / Administrator  |
| User Account                   | 20  |
| Event Notification             | HTTP, FTP, SMTP   |
| General                        |   |
| OnVif                          | Profile S, see more information on <a href="http://www.onvif.org">www.onvif.org</a>               |
| SD Card Slot                   | SD card slot<br>Micro SDXC 64GB supported (card is not included)                                  |
| Audio                          | Two-way /G.711 /G.726   |
| Audio input / output           | 5 of 9pin terminal block  |
| Digital In/out                 | 1/1 (4 of 9 pin terminal block)   |
| Analog Video Output            | 2 pin connector 75Ω, PAL class 2  |
| Power Voltage                  | 12VDC / 24VAC/ POE (IEEE802.3af)  |
| Power Consumption              | Max. 12,9W  |
| Power Connector                | 2 pin terminal block / RJ45   |
| Built-in IR illuminator        | Up to 35 meters<br>6 x 850nm high power LEDs  |
| Environmental Casing           | IP66 & IK10   |
| Languages                      | English / French / German / Italian / Portuguese / Russian / Spanish                              |
| Operating Temperature/Humidity | -40°C ~ +50°C (POE)<br>10% ~ 90% RH   |
| Dimensions                     | Ø133,8 x 117,4 mm   |
| Weight (Net)                   | Approx. 745g  |
| Warranty                       | 4 years   |
| Included accessories           | Installation and Management software DVD  |
| Part number                    | 0070-04322IR  |

| Optional accessories                |               |
|-------------------------------------|---------------|
| 1ch video management software       | 0063-99999    |
| Wall bracket                        | 0070-10016    |
| Ceiling Mount                       | 0070-10017    |
| Replacement Dome Cover              | 0070-10018    |
| AppView for smart phones and tablet | free download |



DISTRIBUTED BY



We reserve the right to introduce product modifications without notice

Follow us on



© 2015 Ernitec. All rights reserved  
[www.ernitec.com](http://www.ernitec.com)

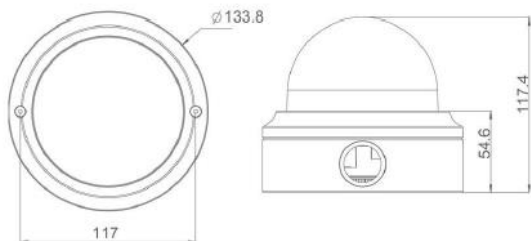
Ernitec  
Tempovej 41  
2750 Ballerup  
Denmark

# Technical Specification Mercury SX-324IR

| Camera                   |  |
|--------------------------|--|
| Camera type              | Dome day / night (ICR Type)  |
| Effective Pixels         | 2688(H) x 1520(V)  |
| Image Sensor             | 1/3" Progressive CMOS  |
| Electronic Shutter Speed | 1~1/10.000 sec.  |
| Min. Illumination        | 0.2 lux (Colour)/ 0.02 lux (B/W) F1.2, 30IRE   |
| Day/night switching      | Mechanical IR-cut  |
| Lens                     |  |
| Lens type                | Motorized Autofocus  |
| Focal Length             | 3 ~ 9 mm   |
| F. number                | F1.4 (wide), F2.1(tele)  |
| Iris                     | P- iris  |
| FOV                      | 92.5° (Wide); 35.4° (Tele)   |
| Video                    |  |
| Video compression        | H.264/MJPEG  |
| Resolution               | 2560 x 1440 (4M) Full HD 1080P / SXGA / HD 720P / XGA / SVGA / D1 / VGA / CIF / QCIF@30fps (WDR) |
| Single stream NTSC       | H.264 2560 x 1440 (4M) 15fps   |
| Single stream PAL        | H.264 2560 x 1440 (4M) 12fps   |
| Single stream NTSC       | H.264 1080P @ 30 fps   |
| Single stream PAL        | H.264 1080P @ 25 fps   |
| Single stream NTSC       | H.264 720P @ 30 fps  |
| Single stream PAL        | H.264 720P @ 25 fps  |
| Multiple streams         | Quad Stream  |
| Brightness               | Manual   |
| Exposure                 | Auto / Manual  |
| Sharpness                | Manual   |
| Contrast                 | Manual   |
| White Balance            | Manual / AWB/ ATW  |
| Saturation               | Manual   |
| Hue                      | Manual   |
| Digital Zoom             | Yes  |
| WDR                      | upto 75 dB   |
| 3D Noise                 | On/Off   |
| Privacy Zone             | On/Off   |
| Motion detection         | On/Off   |
| Tampering Alarm          | On/Off   |

| Network                        |   |
|--------------------------------|---|
| Network Interface              | Ethernet (RJ45) 10/100Mbps  |
| Supported protocol             | IPv4/v6, TCP/IP, UDP, RTP, STPS, HTTP, HTTPS, ICMP, FTP, SMTP, DHCP, PPPoE, Upnp, IGMP, SNMP, QoS |
| Internet Browser               | Internet Explorer (6.0+), Chrome, Firefox, Safari   |
| Password Levels                | User / Administrator  |
| User Account                   | 20  |
| Event Notification             | HTTP, FTP, SMTP   |
| General                        |   |
| OnVif                          | Profile S, see more information on <a href="http://www.onvif.org">www.onvif.org</a>               |
| SD Card Slot                   | SD card slot<br>Micro SDXC 64GB supported (card is not included)                                  |
| Audio                          | Two-way /G.711 /G.726   |
| Audio input / output           | 5 of 9pin terminal block  |
| Digital In/out                 | 1/1 (4 of 9 pin terminal block)   |
| Analog Video Output            | 2 pin connector 75Ω, PAL class 2  |
| Power Voltage                  | 12VDC / 24VAC/ POE (IEEE802.3af)  |
| Power Consumption              | Max. 12,9W  |
| Power Connector                | 2 pin terminal block / RJ45   |
| Built-in IR illuminator        | Up to 35 meters<br>6 x 850nm high power LEDs  |
| Environmental Casing           | IP66 & IK10   |
| Languages                      | English / French / German / Italian / Portuguese / Russian / Spanish                              |
| Operating Temperature/Humidity | -40°C ~ +50°C (POE)<br>10% ~ 90% RH   |
| Dimensions                     | Ø133,8 x 117,4 mm   |
| Weight (Net)                   | Approx. 745g  |
| Warranty                       | 4 years   |
| Included accessories           | Installation and Management software DVD  |
| Part number                    | 0070-04324IR  |

| Optional accessories                |               |
|-------------------------------------|---------------|
| 1ch video management software       | 0063-99999    |
| Wall bracket                        | 0070-10016    |
| Ceiling Mount                       | 0070-10017    |
| Replacement Dome Cover              | 0070-10018    |
| AppView for smart phones and tablet | free download |



DISTRIBUTED BY



We reserve the right to introduce product modifications without notice

Follow us on



© 2015 Ernitec. All rights reserved  
[www.ernitec.com](http://www.ernitec.com)

Ernitec  
Tempovej 41  
2750 Ballerup  
Denmark

R04EN0615